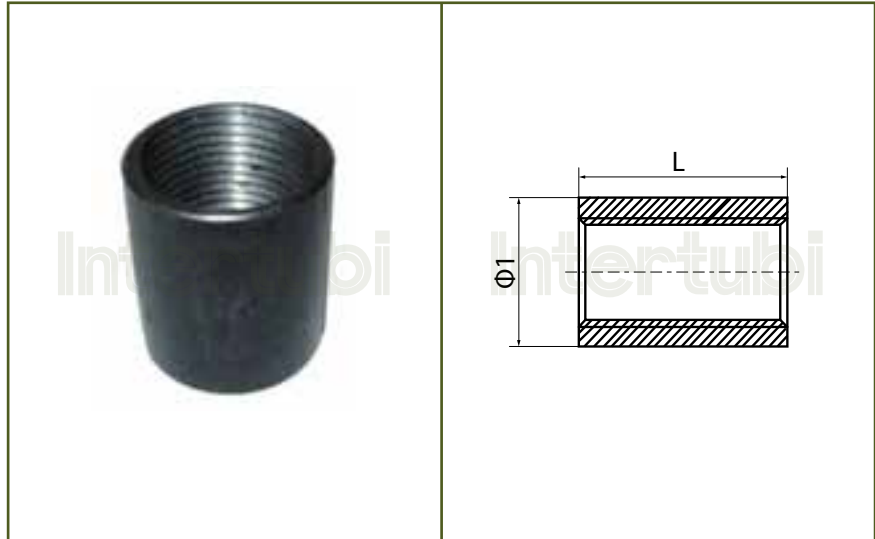




ACCIAIO AL CARBONIO | CARBON STEEL

MANICOTTI E TRONCHETTI
COUPLINGS AND WELDING NIPPLES

**MANICOTTO
CARBONIO**
**CARBON STEEL
COUPLING**


Size mm	1/8"	1/4"	3/8"	1/2"	3/4"	1"	1 1/4"	1 1/2"	2"	2 1/2"	3"	4"
Ø 1	15	18,5	21,3	26,6	31,8	39,5	48,3	54,5	66,2	82	95	121
L	17	25	26	34	36	43	48	48	56	65	71	83
SP/THK	2,0/2,6	2,3/2,9	2,3/2,9	2,6/3,2	3,2/4,0	3,2/4,0	3,2/4,0	3,2/4,0	3,6/4,5	3,6/4,5	4,0/5,0	4,5/5,4

CARATTERISTICHE TECNICHE:

Dimensioni: tipo EN 10241 (EX DIN 2986)
 Filettatura: conforme EN 10226 EN ISO 228
 Acciaio carbonio

Certificati EN 10204/2.1
TECHNICAL INFORMATION:

Dimensional standard type EN 10241 (EX DIN 2986)
 Thread: according to EN 10226 EN ISO 228
 Carbon steel

Certificates EN 10204/2.1

**TRONCHETTO
CARBONIO**

**CARBON STEEL
COUPLING**



Size mm	3/8"	1/2"	3/4"	1"	1 1/4"	1 1/2"	2"	2 1/2"	3"	4"
Ø 1	17,2	21,4	26,7	33,4	42,2	48,3	60,4	73,1	88,9	114,3
A	14	16	16	19	20	20	24	27	30	32
L	100	100	100	100	100	100	100	100	100	100
SP/THK	2,20	2,35	2,65	2,90	2,90	2,90	3,20	3,60	3,80	4,00

CARATTERISTICHE TECNICHE:

Ricavato da tubo saldato
 Dimensioni e tolleranze UNI EN 10255 Filettatura: conforme EN 10226-1 (EX ISO 7-1)
 Acciaio al carbonio

Certificati EN 10204/2.1

TECHNICAL INFORMATION:

Made from pipes welded
 Dimensions and tolerances type UNI EN 10255 Thread: according to EN 10226-1 (EX ISO 7-1)
 Carbon steel

Certificates EN 10204/2.1

Su richiesta tronchetti disponibili con altre lunghezze | *Welding nipple with other lengths on request*